

# DIRECTIONS & SAFETY RULES

## for KKD polishers

MANUFACTURER: **Kentzler-Kaschner-Dental GMBH**  
 Mühlgraben 36  
 73479 Ellwangen/Jagst

Rev. Status: 18.03.2015  
 Page: 1/2

### // RECOMMENDATIONS FOR USE OF KKD POLISHERS

All KKD polishers are exactly tailored to your specific needs. Improper use can lead to tissue damage, early wear or destruction of the polisher, not to mention the risks to the user, the patient or other persons.

### // PROPER USE

- These instruments must only be used with turbines, handpieces and contra-angles that are technically and hygienically perfect, meaning that they should be well maintained and correctly cleaned. The turbines and contra-angles used for these instruments must ensure precise and regular rotation.
- Insert the instrument shaft into the driving unit as far as possible.
- Before applying the instrument on the surface to be treated, bring it to the rotation speed needed.
- In order to avoid deformations, use circular movements with the instrument. Do not bend the instrument or use it as a lever because this would lead to increased risk of breaking the instrument.
- Immediately discard any deformed, non-concentric rotating instruments.
- Unmounted polishers must be centered after shaftmounting in order to avoid vibrations during use and only high quality mandrels should be applied. Using mandrels of inferior quality could break them and cause injuries.
- Protective glasses should be worn at all times. In case of improper use or material failure, the mandrel, shaft or workpiece can break and could become a dangerous flying object. Instead of wearing protective goggles, you can work behind a protective glass pane.
- Wearing a respiratory mask will prohibit inhaling dust from polishers or workpieces. We recommend a dust aspiration system.

Improper use of these instruments leads to bad quality results and more risks. This is why they must be used only by **qualified persons**.

### // INSTRUCTIONS REGARDING ROTATING SPEED

- Never exceed the maximum rotation speed stated. The recommended and maximum rotation speeds allowed can vary between products. For that reason, please refer to the rotation speeds indicated on the packaging and in our product catalogue.
- In case of non-observance of the maximum rotation speed allowed, the polisher will tend to vibrate. Such vibrations can deform the polisher or its shaft and cause them to break. In the latter case, the user, the patient and other persons can be injured.
- Observing rotation speeds ensures optimum results.

Non observance of the maximum rotation speed allowed increases safety risks.

### // PRESSURE ON THE POLISHER

- Excessive pressure on the polisher can destroy it.
- Excessive pressure results in more heat produced.
- Excessive pressure can cause early wear of the polisher.

Always avoid excessive pressure on the instrument because this will cause overheating, which could damage the pulp. Additionally, in case of very excessive pressure, the instrument can break and, as a result, persons can be injured.

## DIRECTIONS & SAFETY RULES for KKD polishers










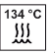






MANUFACTURER: **Kentzler-Kaschner-Dental GMBH**  
Mühlgraben 36  
73479 Ellwangen/Jagst

Rev. Status: 18.03.2015  
Page: 2/2

### // WATER COOLING

- In order to avoid the overheating of a tooth, sufficient water cooling must be ensured (50 ml/min). Insufficient water cooling can lead to irreversible damages to the tooth and its surrounding tissues.

### // SYMBOLE

 Observe user instructions	 Prophylaxis	 Order number	 Safety goggles
 Packaging unit	 Working on fillings	 LOT-Number for product traceability	 Respiratory protection
 Date of manufacture	 Autoclavable	 ISO-Code	 Recommended RPM
 Manufacturer: Kentzler-Kaschner Dental GmbH Mühlgraben 36 D – 73479 Ellwangen	 Disposable system	 CE-marking	 Usable up to